

Installation Guide Welcome to iO



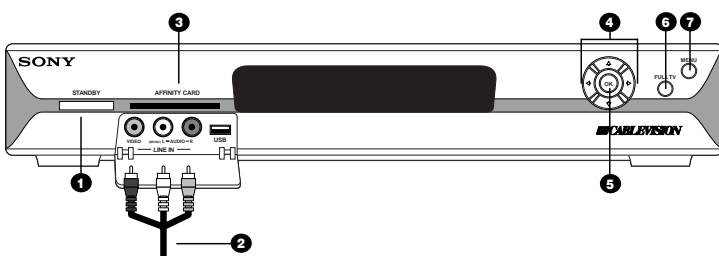
IMPORTANT INFORMATION

- PLEASE REMOVE EACH ITEM FROM THE PACKING BOX AND FAMILIARIZE YOURSELF WITH THEM BEFORE CONTINUING. IN THIS PACKAGE, YOU SHOULD HAVE RECEIVED THE iO DIGITAL CABLE BOX, ACCESS CARD, REMOTE CONTROL, AND POWER CORD.
- If you have any problems during this installation, please call Cablevision at 1-866-563-2096. **In order for us to serve you better, please install all of your digital cable boxes before calling.**

For instructions on how to install your iO Digital Cable Box, see reverse side.

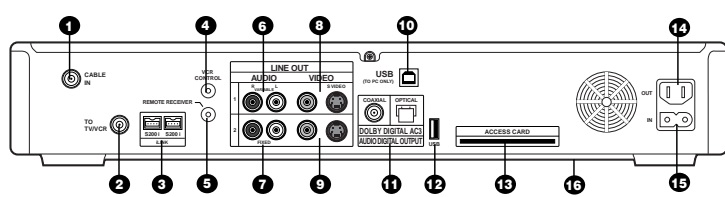
Your iO Digital Cable Box:

Front Panel



1 Standby	Activates the digital cable box.
2 RCA Inputs	Your digital cable box can be used in conjunction with a video game system (such as Sony PlayStation 2). Connect the gaming system to the RCA jacks in the front of the digital cable box. Once connected, tune to Channel 555 to enjoy your game.
3 Affinity Card	Reserved for future use.
4 Arrow Keys	Moves through on-screen choices.
5 OK	Chooses the highlighted item on screen.
6 Full TV	Displays full-screen view of the current channel selection.
7 Menu	Displays the Main Menu for access to the Channel Guide, On Demand, Enhanced TV and iO Games.

Back Panel



1 Cable In	Connects to the coaxial cable coming from the wall.
2 To TV/VCR	Connects to coaxial cable input of TV or VCR.
3 i-Link (2)	Outputs audio and video signals to the IEEE 1394 (iLink) input of your TV.
4 VCR Control*	Reserved for future use.
5 Remote Receiver	Inputs control signals to the digital cable box using an optional Infra-Red (IR) receiver. Useful for when the digital cable box is placed in a cabinet and the front panel cannot receive IR signals from the remote control or keyboard. (Requires optional receiver device.)
6 Line Out 1 (TV) Audio (Variable)	Outputs audio (variable) and video signals to your TV.
7 Line Out 2 (VCR) Audio (Fixed)	Outputs audio (fixed) and video signals to your VCR using audio/video cables.
8 Line Out 1 (TV) S-VIDEO	Outputs video signals to your VIDEO-equipped TV using an S-VIDEO cable.
9 Line Out 2 (VCR) S-VIDEO	Outputs video signals to your VIDEO-equipped VCR using an S-VIDEO cable.
10 USB (to PC only)*	Reserved for future use.
11 Dolby Digital (AC3)	Audio Digital OUT Coaxial/Optical Outputs digital audio signals to the COAXIAL or OPTICAL digital input of your audio system.
12 USB	Reserved for future use.
13 Access Card Slot	The slot into which the Access Card is inserted.
14 AC Outlet	Connects the AC power cord from another device, such as a TV.
15 AC Input	Delivers power from the AC electrical outlet to the digital cable box using the cord provided.
16 Serial Number	Located on the bottom of your digital cable box. Cablevision may ask for this number if your system requires troubleshooting.

*Not currently in use.

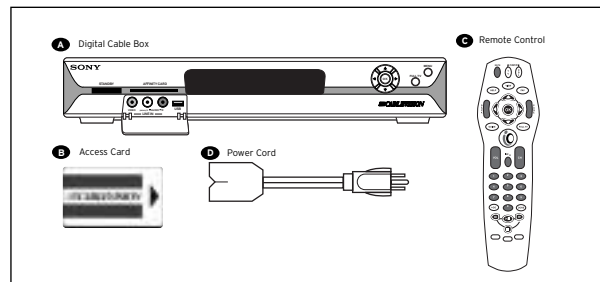
SONY

Installing your iO Digital Cable Box:

Please read Steps 1 through 5 before proceeding.

Step 1. Please remove all items from the packing box and be sure you are familiar with each item before proceeding.

- A.** iO Digital Cable Box
- B.** Access Card
- C.** Remote Control
- D.** Power Cord



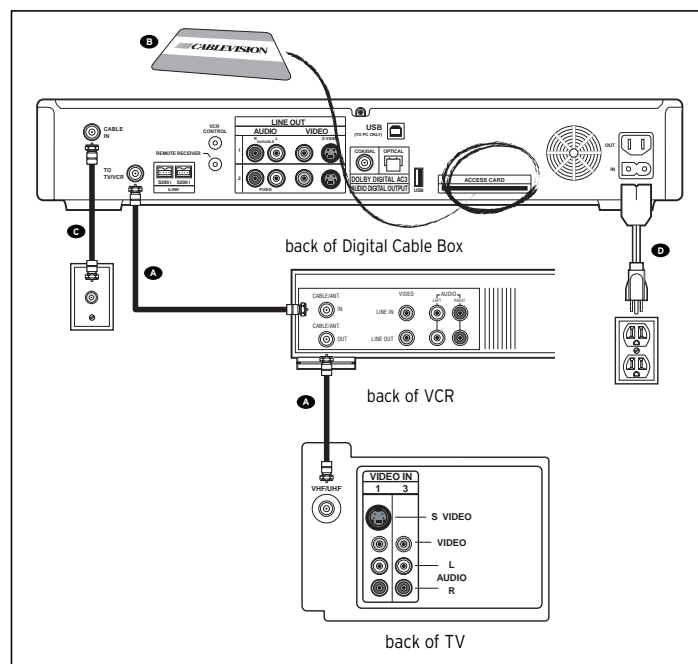
Step 2. Disconnect your existing cable box(es).

Step 3. **A.** Connect your iO Digital Cable Box to the TV and VCR as indicated. Refer to the diagram.
B. Ensure that the access card is inserted in the back of your digital cable box. Do not force! Card will not insert all the way.
ONCE THE CARD IS INSERTED, PLEASE DO NOT REMOVE UNLESS OTHERWISE INSTRUCTED.
C. Connect your iO Digital Cable Box to the coaxial cable coming in from the wall.
D. Plug your iO Digital Cable Box and the TV into an AC power source.
E. Press the STANDBY Key on the digital cable box and tune your TV to Channel 3.

Step 4. Your iO Digital Cable Box will start downloading the latest software for your iO service.

- While downloading the software, the front panel display will flash between "Updating iO" and a bar graph indicating how much the download has progressed.
- The front panel may occasionally read, "Saving Data" during the download.
- The software download for iO should be complete in less than 5 minutes.

Step 5. Once the download is complete, you will see the "Terms and Conditions" screen on your television. Using your remote control or the button on the front panel of the digital cable box, press (OK) to accept the terms and conditions.



Troubleshooting Tips:

- If your screen is blank, make sure that your television is turned on and tuned to Channel 3.
- If you still have problems receiving a signal, try restarting your box. You can do so by pressing the FULL TV and DOWN ARROW buttons on the front of the digital cable box simultaneously and holding them down for a few seconds.

Ready to start using iO?

You should now be able to enjoy iO, the best in home entertainment. With iO, you get access to over 200 channels, On Demand programming and features satellite can't deliver. Here are just a few iO features and services:

- **On Demand:** Choose from hundreds of On Demand titles whenever you want. Start, stop, pause, rewind, and fast-forward your selection, just like you would with a VCR or DVD.
- **Enhanced TV:** Customize the information that's important to you — included with iO. Select Enhanced TV from the Main Menu and explore your options.
- **Music Choice*:** Enjoy 45 channels of commercial-free digital music with a full range of formats that appeal to everyone's musical tastes.
- **Searchable Channel Guide:** Find what you want to watch fast.

Want to learn more about iO?

For information about using your remote, refer to the Optimum Quick Reference Guide included with your iO Welcome Kit.

- The **iO Getting Started Guide** that came with your iO Digital Cable Box provides you with basic instructions or tips for using iO and highlights popular iO features.
- The **iO Help Menu** allows you to access video or text help directly from your television. The on-screen help topics provide quick explanations on how to get the most out of your iO service. To access the iO Help Menu, press the iO button on your remote control. Highlight OPTIONS & HELP, and then press OK. Highlight iO Help, then press OK. Select a topic, and then press OK.